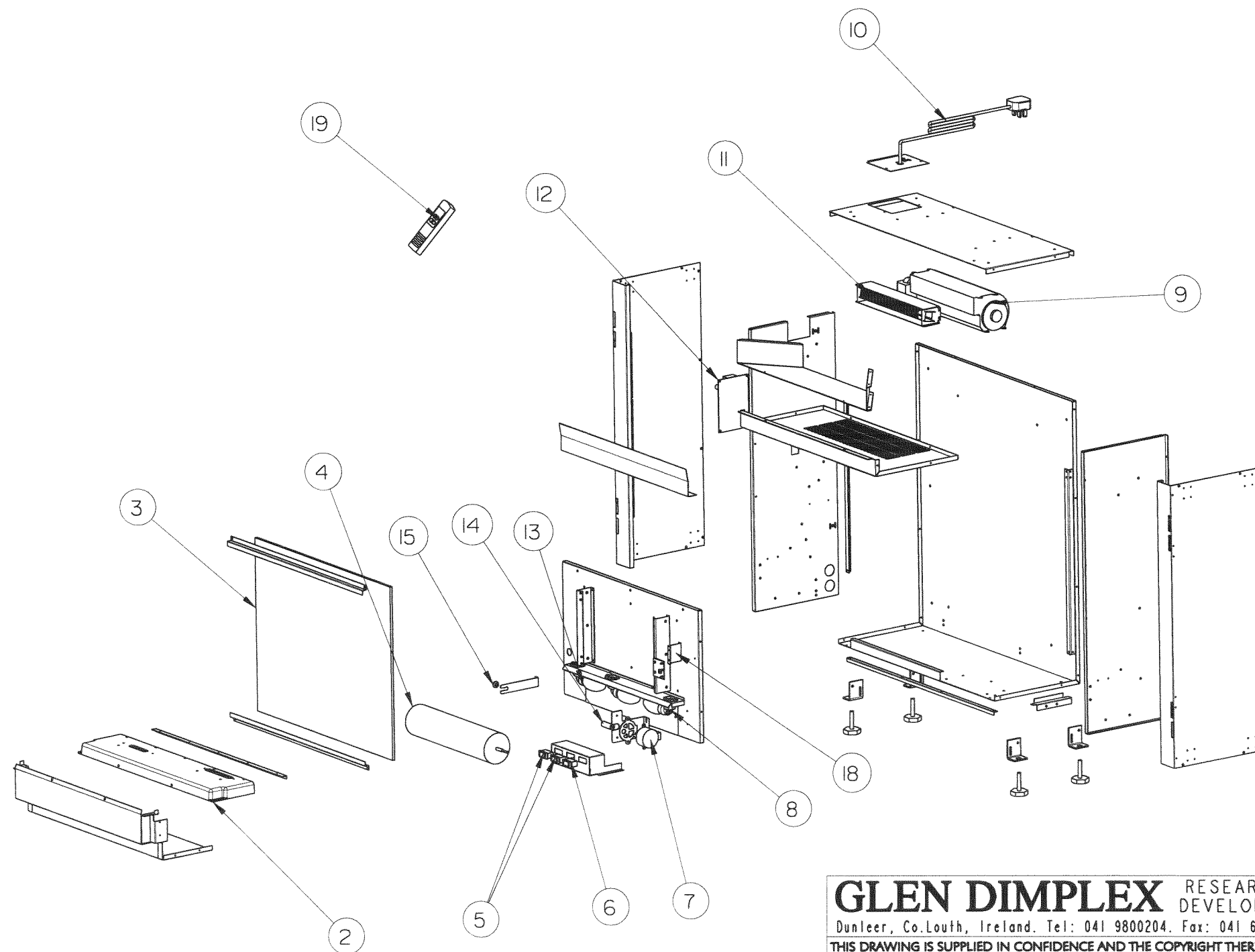
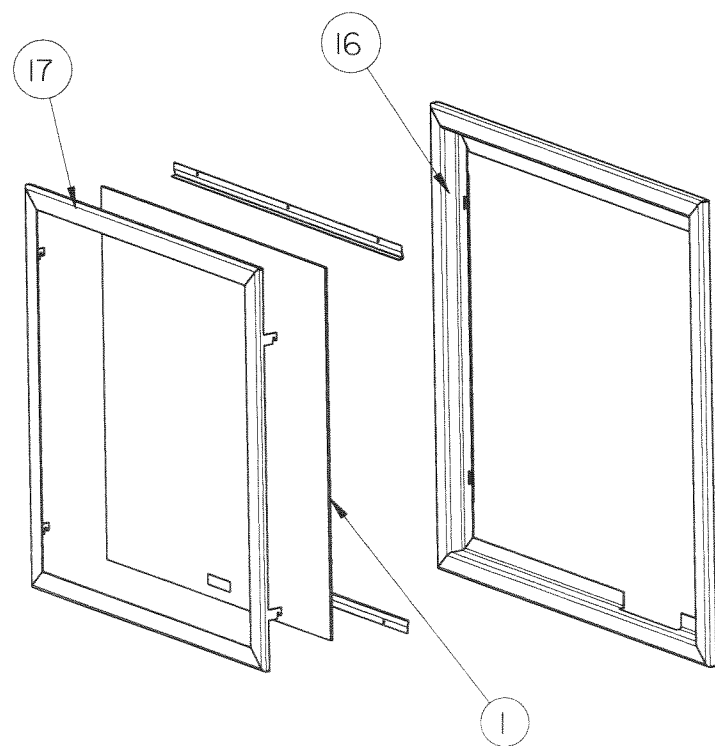


No.	Part No.	Description	Qty.
1	1/62222/0	Outer Glass	1
2	4/17899/0	Fuel Effect Assy	1
3	1/62552/0	Inner Glass	1
4	3/21711/0	Rotisserie	1
5	3/21612/0	Arco Inrush Switch	2
6	3/21056/0	Arco S-Pole Switch	1
7	3/21581/0	10 RPM Geared Motor	1
8	3/21161/0	BJB Lampholder	3
9	3/21776/0	Fergas 240mm Blower	1
10	3/21687/0	Euro Cordset	1
11	3/21393/0	Birch 1.5kW Element	1
12	3/21856/0	PCB RF Unique Codes	1
13	3/21917/0	60W Longlife Bulb	3
14	1/28503/0	Motor Coupling	1
15	1/18711/0	Grommet	1
16	2/19559/0	Outer Frame SW Assy.	1
17	2/19558/0	Inner Frame SW Assy.	1
18	1/62348/0	LED Bracket	1
19	3/21809/0	RF Remote	1



**GLEN DIMPLEX** RESEARCH & DEVELOPMENT  
Dunleer, Co.Louth, Ireland. Tel: 041 9800204. Fax: 041 6851464.

THIS DRAWING IS SUPPLIED IN CONFIDENCE AND THE COPYRIGHT THEREOF IS THE PROPERTY OF GLEN DIMPLEX: IT MUST NOT BE USED BY A THIRD PARTY WITHOUT PRIOR PERMISSION. © 2002

DRAWN BY	DS	TITLE	EXPLODED VIEW
DATE	29/8/05	A 3	
SCALE			
ISSUE			
PROJECT	NARVIK NOVA	DRG NO	7/19343/0

**PARTS LIST****NARVIK NOVA**

ITEM	CAT NO	WATTS	VOLTS	DESCRIPTION	COLOUR	MODEL
1	FP05049			FRONT GLASS		
2	FP05048			FUEL EFFECT		
3	FP05047			INNER GLASS		
4	FP05007			ROTISSERIE		
5	FP02035			HIGH INRUSH SWITCH		
6	BF7211			SWITCH		
7	FP03020			15RPM MOTOR		
8	FP9609			LAMPHOLDER		
9	FP03029			BLOWER MOTOR		
11	FP02028	1500		ELEMENT		
12	FP05009			PCB RECEIVER		
13	FP03022	60		LAMPS		
19	FP04083			REMOTE CONTROL		
N/S	FP05008			REFLECTOR		
N/S	FP05005			FLAME PANEL		
N/S	FB9402			CUT OUT		